

# OPzV250 Valve Regulated Stationary Battery



## 1. Specification

NOMINAL VOLTAGE		2 V		<b>TERMINAL:mm</b> 
NOMINAL CAPACITY		250 Ah/10HR		
DIMENSIONS	LENGTH	± 1 mm	125 mm (4.92 inches)	
	WIDTH	± 1 mm	208 mm (8.19 inches)	
	HEIGHT	± 2 mm	356 mm (14.02 inches)	
	TOTAL HEIGHT	± 2 mm	385 mm (15.16 inches)	
WEIGHT		20Kg (44.0lbs)		
HOUSING MATERIAL		ABS RESIN		
FLOAT LIFT 25 °C (77 °F)		15~20 YEARS		

## 2. Contant current discharge Ratings—Amperes 25°C/77°F(Operating time to final voltage)

Final Voltage	1min	5min	15min	30min	45min	1hr	2hr	3hr	5hr	8hr	10hr	20hr
1.80	500	446	325	236	185	152	90.8	67.6	44.7	29.8	25.0	15.0
1.75	591	505	355	245	193	158	94.1	68.5	45.8	31.3	26.1	15.0
1.70	676	556	379	255	200	163	98.3	70.4	47.2	32.1	26.6	15.7
1.65	782	610	403	269	205	169	101	73.5	48.1	32.9	27.2	15.7
1.60	878	676	431	284	213	175	104	75.8	50.0	33.8	27.8	15.7

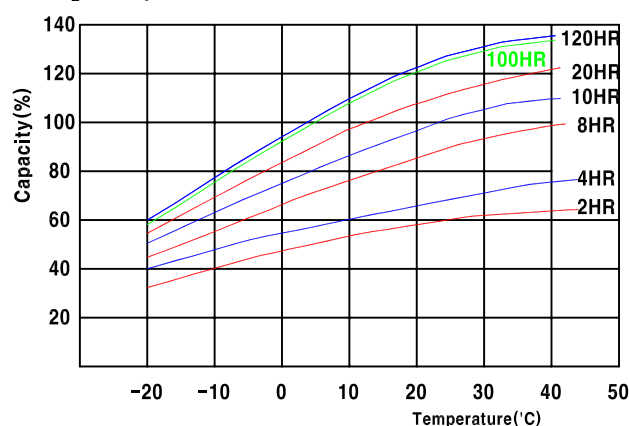
## 3. Contant power discharge Ratings—watts 25°C/77°F(Operating time to final voltage)

Final Voltage	1min	5min	15min	30min	45min	1hr	2hr	3hr	5hr	8hr	10hr	20hr
1.80	900	810	593	439	349	289	176	131	86.7	58.3	49.2	31.3
1.75	1034	894	644	455	361	217	182	133	89.2	60.9	50.9	31.3
1.70	1166	968	685	470	373	308	188	136	90.8	62.3	51.7	31.3
1.65	1294	1036	717	492	381	317	193	145	93.3	63.8	52.9	31.3
1.60	1410	1120	754	516	393	326	199	147	95.8	65.3	53.8	31.3

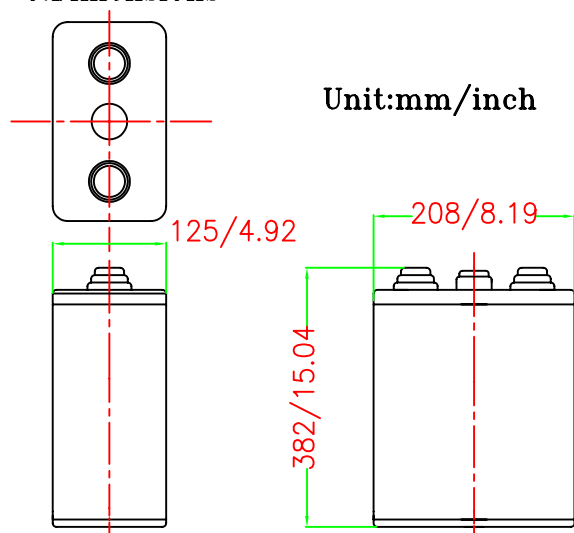
## 4. Characteristics

Internal Resistance	0.59mΩ at 25°C(77°F)	
Temperature range	-20°C~-45°C(-4°F~-113°F)	
Charging voltage 25°C/77°F	float use	2.23V~2.27V
	cycle use	2.35V~2.40V
Recommended maximum Charging current limit	0.25C amperes(50 amps) 25°C/77°F	
Charging time 25°C/77°F	float use	>96hours
	cycle use	24hours(50%DOD*)or 48hours(50%DOD*)
Self discharge 25°C/77°F	<0.8% per week	
Terminal Hardware Torque	8±0.5N-M	

## 5. Relation Covers between Temp. and Capacity



## 6. Dimensions



## 7. Discharge Curve

